

Fig. 1. A network flow graph.

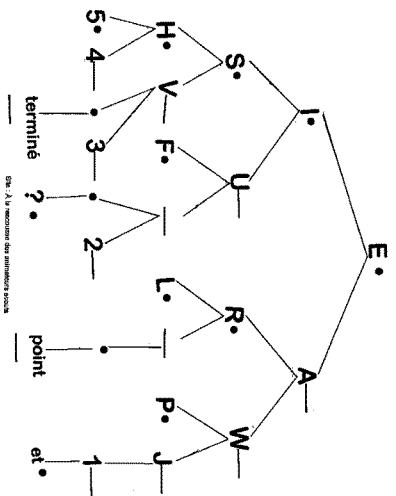


Fig. 2. A network flow graph.

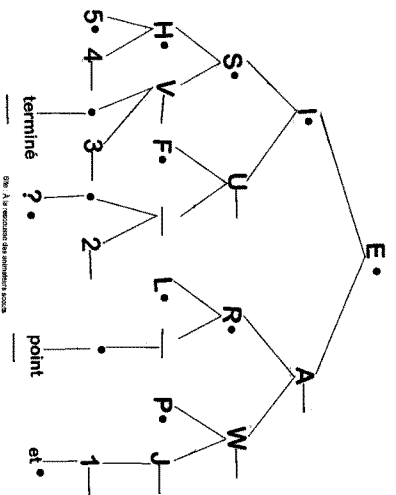


Fig. 3. A network flow graph.

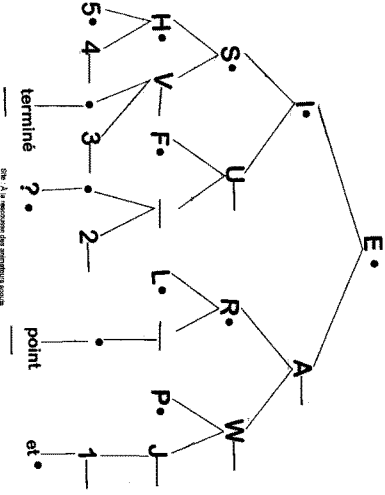


Fig. 4. A network flow graph.

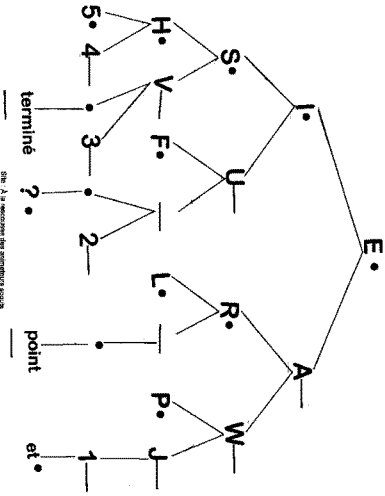


Fig. 5. A network flow graph.

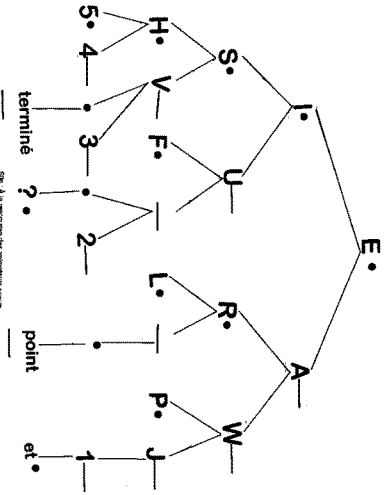


Fig. 6. A network flow graph.

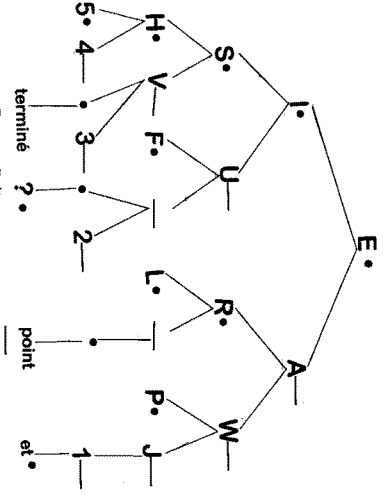


Fig. 7. A network flow graph.

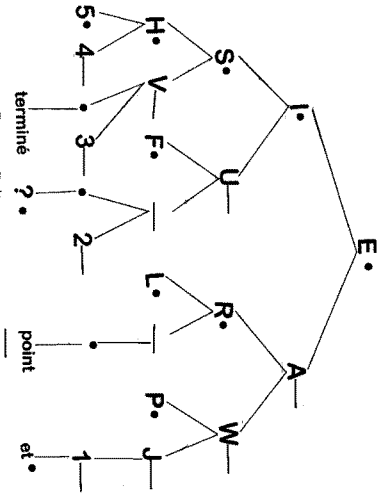


Fig. 8. A network flow graph.

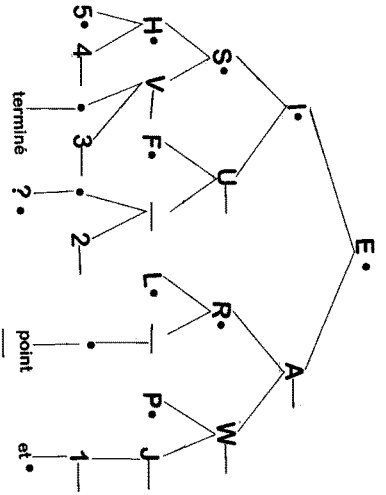
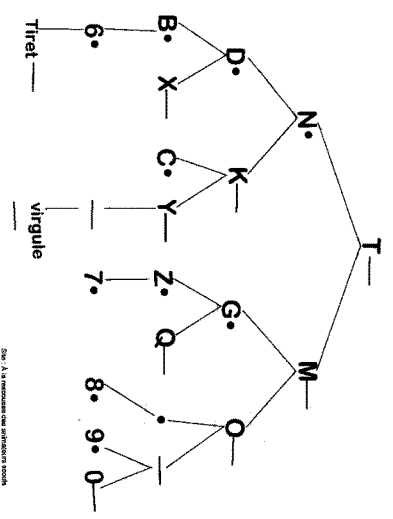
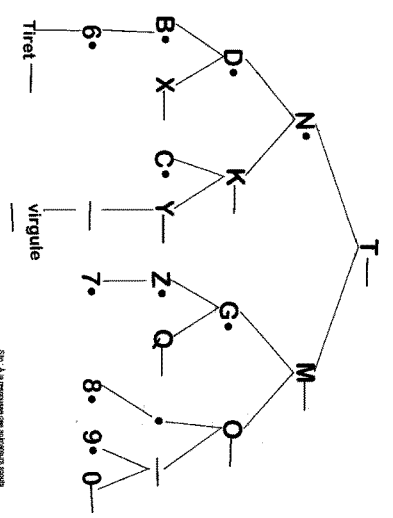


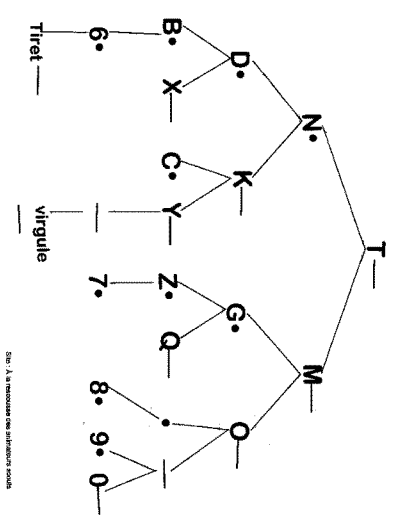
Fig. 9. A network flow graph.



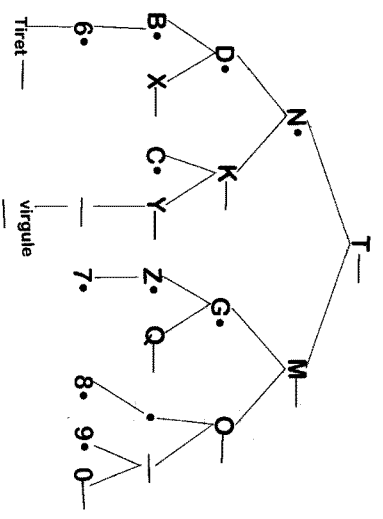
Step 1: A tree diagram showing the relationship between letters



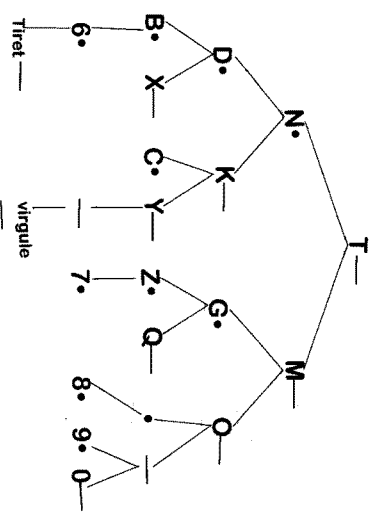
Step 2: A tree diagram showing the relationship between letters



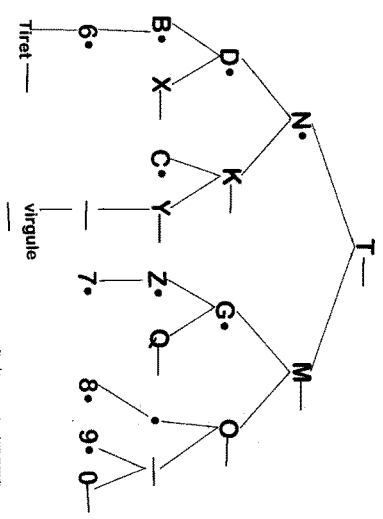
Step 3: A tree diagram showing the relationship between letters



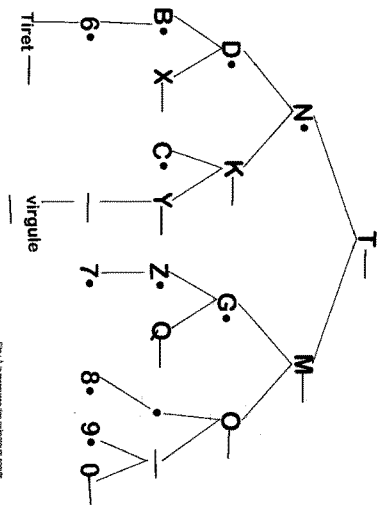
Step 4: A tree diagram showing the relationship between letters



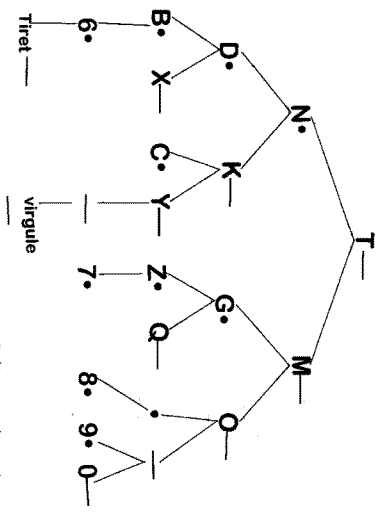
Step 5: A tree diagram showing the relationship between letters



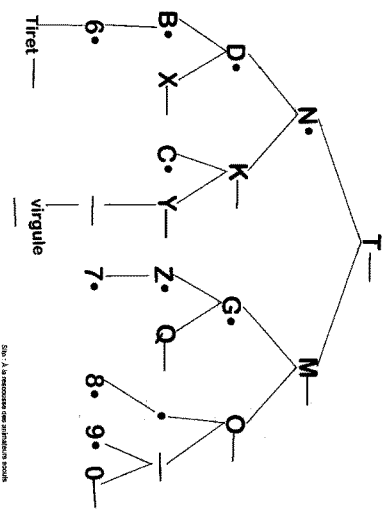
Step 6: A tree diagram showing the relationship between letters



Step 7: A tree diagram showing the relationship between letters



Step 8: A tree diagram showing the relationship between letters



Step 9: A tree diagram showing the relationship between letters